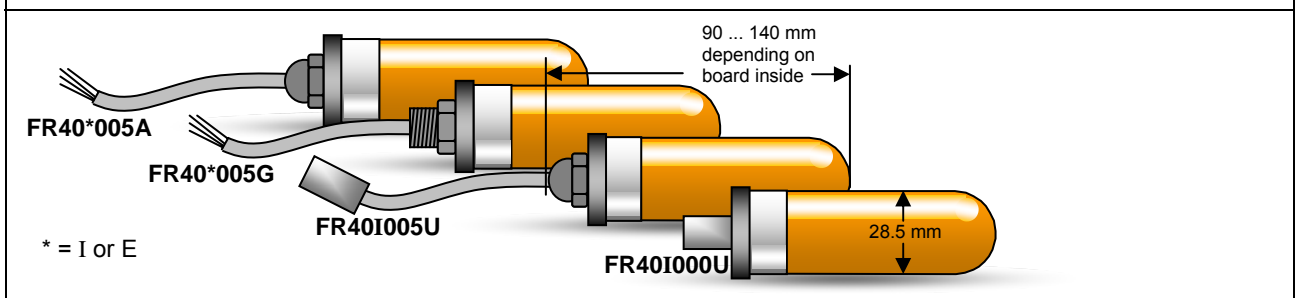
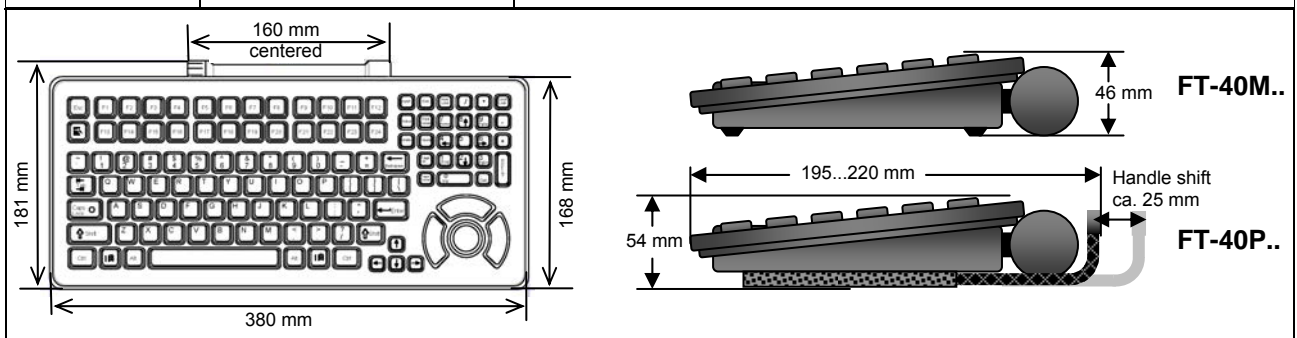


Technical Data FT-40 / FR-40I / FR-40E

23.08.2007mp

Cordless keyboard/mouse FT-40.. with Receiver FR-40..I or FR-40..E

Features	IP65 for extreme environment conditions inside of hazardous areas, integrated mouse	
Installation	Hazardous area	Zone 1, 2, 21 and 22
Ex-protection	FT-40.. (keyboard)	II 2 G Ex ia IIC T4 respectively II 2D Ex iaD 21 T107°C
	FR-40..I	II2G Ex ia IIC T4 resp. II2D Ex tD A21 IP67,68,69K T95°C
	FR-40..E	II2G Ex mb IIC T4 resp. II2D Ex tD A21 IP67,68,69K T110°C
IP class	FT-40..	Tested + certified protection class IP65 (NEMA 12;12K;13)
	FR-40..I, FR-40..E	Tested + certified protection class IP67,68,69K (NEMA 4; 4X)
Technology	Technical features keyboard	MF2 (116 keys) with 24 Function Keys
		1.5 mm short travel keys, Life: > 10 Mio. cycles
		Actuation force and travel: 3.0 ± 0.65 N / 0.35 mm
	Technical features mouse	3 button mouse with „HULAPOINT“
		Function principle: Hulapoint moves the mouse pointer like a joystick. Supply: 3 standard Alkaline AA batteries 6 months average battery life
	Interface	USB for Ex i or Ex e ports
	Radio distance	approx. 10 m
	Key layout	US Int. English, German (other languages on request)
Weight	Keyboard: FT-40 = 1.5 kg Receivers: 65 ... 116 g without cable, depending on tube length	
Case	Material, keyboard	Lightweight Polycarbonate Case. Silicone rubber keys with rub off resistant printing, surface sealed by special coating. Excellent to clean and disinfect. Case colour: black
	Material, receiver	PP-H case (high density polypropylene); colour: orange
Permissible limits	USB-Receiver FR-40..I	Certified for use with any USB Ex i port. Limits: $U_i \leq 5.9 \text{ V}$, $I_i \leq 1.1 \text{ A}$, $P_i \leq 6.1 \text{ W}$, $L_i \leq 1 \mu\text{H}$, $C_i \leq 43 \mu\text{F}$
	USB-Receiver FR-40..E	Certified for use with any PC.
	Ambient Temperature	Operation: - 20°C...+50°C (keyboard) - 20°C...+60°C (receivers)



<p>Keyboard order numbers:</p> <p>Ex ia cordless keyboard, desktop version: FT40M.. (Must be mounted to the desktop.)</p> <p>Ex ia cordless keyboard, desktop version: FT40P..</p> <p>.. = key layout; US = English (USA); DE = German Further languages and abbreviations on request.</p>	<p>Receiver order numbers:</p> <p>Ex ia receiver for keyboard FT-40: FR40Innnz (Connection via an Ex i source.)</p> <p>Ex mb receiver for keyboard FT-40: FR40Ennnz (Connection via an Ex e junction box.)</p> <p>nnn = cable length in dm; 005 = 0.5 m; 250 = 25 m z = electrical connector, see figure above (A; G; U)</p>
---	---

